

# 2MP 25X LightHunter Network PTZ Dome Camera

IPC6622SR-X25-VF



## Features

- High quality image with 2MP, 1/2.8" CMOS sensor
- 1920\*1080@60fps in the main stream
- Ultra 265, H.265, H.264, MJPEG
- 25X Optical Zoom
- Smart intrusion prevention, support false alarm filtering, include Cross Line, Intrusion, Enter Area, Leave Area detection
- People Counting, support people flow counting and crowd density monitoring, suitable for different statistical scenarios
- Lighthunter technology ensures ultra-high image quality in low illumination environment
- Smart IR, up to 150m (492 ft) IR distance
- AC 24V±25%, DC 24V±25% or PoE+(IEEE 802.3at) power supply
- Alarm 2 in and 1 out, Audio 1 in and 1 out
- IP66 ingress protection

## Specifications

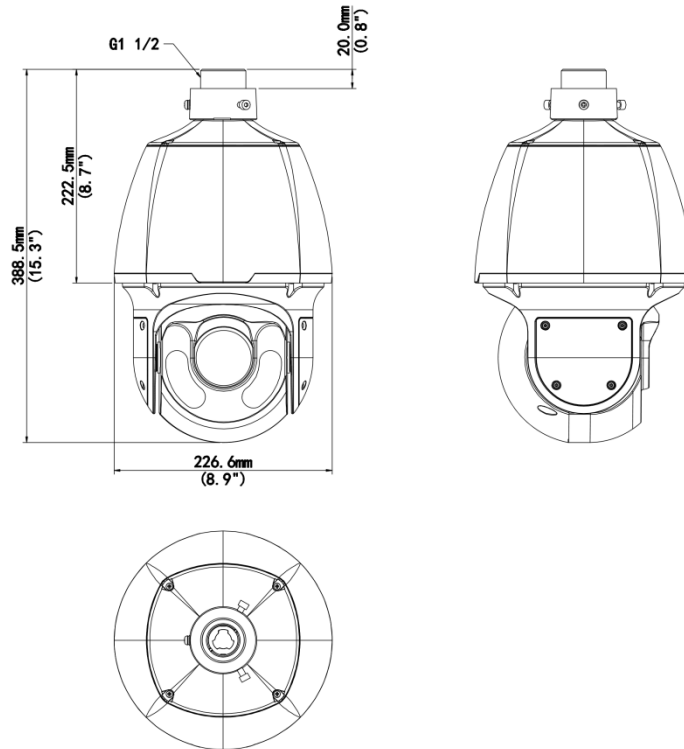
|                   |   |
|-------------------|---|
| Model             | IPC6622SR-X25-VF                                  |
| Camera            |   |
| Sensor            | 1/2.8" CMOS                                       |
| Min. Illumination | Colour: 0.001 Lux (F1.5, AGC ON)<br>0 Lux with IR |

|                           |   |
|---------------------------|---|
| Day/Night                 | IR-cut filter with auto switch (ICR)  |
| Shutter                   | Auto/Manual, 1 to 1/100000 s  |
| WDR                       | 120 dB  |
| S/N                       | >52 dB  |
| <b>Lens</b>               |   |
| Focal Length              | 5 to 125 mm   |
| Optical Zoom              | 25X   |
| Digital Zoom              | 16X   |
| Iris                      | F1.5 to F4.0  |
| Field of View (H)         | 54.37° ~ 2.68°  |
| Field of View (V)         | 32.23° ~ 1.51°  |
| Field of View (D)         | 66.88° ~ 3.16°  |
| <b>DORI</b>               |   |
| DORI Distance (Lens)      | 5.0~125.0(mm)   |
| DORI Distance (Detect)    | 85.3m~1706.9m(280.0ft~5600.1ft)   |
| DORI Distance (Observe)   | 34.1m~382.8m(112.0ft~2240.0ft)  |
| DORI Distance (Recognize) | 17.1m~341.4m(56.0ft~1120.0ft)   |
| DORI Distance (Identify)  | 8.5m~170.7m(28.0ft~560.0ft)   |
| <b>Video</b>              |   |
| Video Compression         | Ultra 265, H.265, H.264, MJPEG  |
| Frame Rate                | Main Stream: 2MP(1920*1080),Max 60fps<br>Sub Stream: 2MP (1920*1080), Max 60fps<br>Third Stream: D1 (720*576), Max 60fps            |
| Video Bit Rate            | 128 Kbps to 16 Mbps   |
| U-code                    | Support   |
| ROI                       | Support   |
| Video Stream              | Triple Streams  |
| Privacy Mask              | 24 areas, up to 4 areas per scene   |
| OSD                       | Up to 10 OSDs   |
| <b>Events</b>             |   |
| Basic Detection           | Motion Detection, Tampering Alarm, Audio Detection, Object Removed, Object Left Behind  |
| General Function          | Watermark, IP Address Filtering, Access Policy, ARP Protection, RTSP Authentication, User Authentication, Alarm Input, Alarm Output |
| <b>Audio</b>              |   |
| Audio Compression         | G.711U, G.711A  |
| Audio Bitrate             | 128 Kbps  |
| Two-way Audio             | Support   |
| Suppression               | Support   |
| Sampling Rate             | 16KHZ   |
| <b>Storage</b>            |   |
| Edge Storage              | Micro SD, up to 512 GB  |
| Network Storage           | ANR, NAS (NFS)  |
| <b>Network</b>            |   |

|                            |   |
|----------------------------|---|
| User/Host                  | Up to 32 users. 3 user levels: administrator, common user and operator  |
| Protocols                  | SSH, IGMP, RTP, RTCP, SMTP, IPv4, IPv6, ICMP, ARP, TCP, UDP, DHCP, PPPoE, RTSP, RTMP, DNS, DDNS, NTP, FTP, UPnP, HTTP, HTTPS, 802.1x, SNMP, QoS, SSL/TLS  |
| Compatible Integration     | ONVIF (Profile S, Profile G, Profile T, Profile M), API, SDK  |
| Security                   | TLS 1.3, Password Protection, Strong Password, HTTPS Encryption, Export Operation Logs, Basic and Digest Authentication for RTSP, Digest Authentication for HTTP, TLS 1.2, WSSE and Digest Authentication for ONVIF |
| Client                     | EZStation, UNV-Link, UNV-Link Pro   |
| Web Browser                | Plug-in required live view: IE 10+, Chrome 45+, Firefox 52+, Edge 79+, Plug-in free live view: Chrome 57+, Firefox 58+, Edge 16+  |
| <b>Intelligent</b>         |   |
| Exception Detection        | Object Removed, Object Left Behind  |
| Smart Intrusion Prevention | Cross line detection, intrusion detection, enter area detection, leave area detection (support false alarm filtering and the classification of human, non-motor vehicle and vehicle)                                |
| People Counting            | Support People Flow Counting and Crowd Density Monitoring   |
| <b>PTZ</b>                 |   |
| Route Patrol               | 16 patrols, up to 32 actions for each patrol  |
| Recorded Patrol            | 16 patrols, up to 128 actions for each patrol   |
| Number of Presets          | 1024  |
| Preset Image Freeze        | Support   |
| Preset Patrol              | 16 patrols, up to 64 presets for each patrol  |
| Patrol Stay Time           | 15 s to 1800 s  |
| Home Position              | Support   |
| Pan Range                  | 360° (endless)  |
| Pan Speed                  | 0.1°/s ~ 200°/s   |
| Tilt Range                 | -15° ~ 90° (auto reverse)   |
| Tilt Speed                 | 0.1°/s ~ 200°/s   |
| <b>Image</b>               |   |
| White Balance              | Auto, Outdoor, Fine Tune, Sodium Lamp, Locked, Auto2  |
| Digital Noise Reduction    | 2D/3D DNR   |
| Flip                       | Normal, Flip Vertical, Flip Horizontal, 180°  |
| HLC                        | Support   |
| BLC                        | Support   |
| Smart IR                   | Support   |
| Defog                      | Digital Defog   |
| Heatwave Reduction         | Support   |
| <b>Interface</b>           |   |
| Audio I/O                  | 1 Input: impedance 1 kΩ, amplitude 2.5 V [p-p], 1 Output: impedance 600 Ω, amplitude 2.5 V [p-p]  |
| WIFI                       | N/A   |
| Alarm I/O                  | 2/1   |
| Serial Port                | 1 * RS485   |
| Built-in Mic               | N/A   |
| Built-in Speaker           | N/A   |

|                            |   |
|----------------------------|---|
| Network                    | 1 × RJ45 10 M/100 M Base-TX Ethernet  |
| Video Output               | 1 BNC (For debugging)   |
| <b>Illuminator</b>         |   |
| Illumination Distance (IR) | 150 m (492.1 ft)  |
| IR On/Off Control          | Auto/Manual   |
| Wavelength                 | 850 nm  |
| <b>Certification</b>       |   |
| EMC                        | CE-EMC (EN 55032:2015+A11:2020; EN IEC 61000-3-2:2019; EN 61000-3-3:2013+A1:2019; EN 55035:2017+A11:2020)<br>FCC (FCC CFR 47 part15 B, ANSI C63.4-2014)   |
| Safety                     | CE LVD (EN 62368-1:2014+A11:2017)<br>UL (UL 62368-1, 2nd Ed., Issue Date: 2014-12-01)   |
| Environment                | CE-ROHS (2011/65/EU;(EU)2015/863)   |
| Protection                 | IP66 (IEC 60529:1989+AMD1:1999+AMD2:2013)   |
| <b>General</b>             |   |
| Power                      | AC 24V±25%, DC 24V±25%, PoE+ (IEEE802.3 at)   |
| Power Consumption          | Max 25W   |
| Power Interface            | Wires with cold-pressed terminal  |
| Dimensions                 | Ø 227 x 384.8 mm (Ø 8.9" x 15.1") (Ø x H)   |
| Weight                     | 5.28kg(11.64lb)   |
| Working Environment        | -40 °C to 70 °C (-40 °F to 158 °F), Humidity: ≤ 95% RH (non-condensing)   |
| Storage Environment        | -40 °C to 70 °C (-40 °F to 158 °F), Humidity: ≤ 95% RH (non-condensing)   |
| Surge Protection           | 6 KV  |
| Reset Button               | Support   |
| Web Client Language        | 22 Languages: Traditional Chinese, English, Simplified Chinese, Polish, German, Russian, French, Korean, Dutch, Czech, Portuguese (Europe), Portuguese (Brazil), Japanese, Thai, Turkish, Spanish (Latin America), Spanish (Europe), Hungarian, Italian, Vietnamese, Arabic, Slovak |
| Heater                     | Support   |

## Dimensions



## Accessories

TR-UF45-A-IN

Dome Indoor Ceiling Mounting Pedestal



TR-SE45-A-IN

Dome Ceiling Mounting Pole 500



TR-SE45-IN

Dome Ceiling Mounting Pole 200



TR-CE45-IN

Dome Indoor Ceiling Mounting Bracket



TR-WE45-IN

Dome Wall Mounting Bracket



TR-WE45-A-IN

Long Wall Mounting Bracket for Dome



TR-JB12-IN

Dome Junction Box



TR-WE45-B-IN

Dome Gooseneck Bracket



TR-UP08-A-IN

Dome Pole Mounting Bracket



TR-UP08-B-IN

Aluminium Alloy Pole Mounting Bracket



TR-UC08-A-IN

Dome Corner Mounting Bracket



TR-UC08-B-IN

Aluminium Alloy Corner Mounting Bracket



**Zhejiang Uniview Technologies Co., Ltd.**

No. 369, Xietong Road, Xixing Sub-district, Binjiang District, Hangzhou City, 310051, Zhejiang Province, China

Email: [overseasbusiness@uniview.com](mailto:overseasbusiness@uniview.com); [globalsupport@uniview.com](mailto:globalsupport@uniview.com)

<http://www.uniview.com>

©2023-2025 Zhejiang Uniview Technologies Co., Ltd. All rights reserved.

\*Product specifications and availability are subject to change without notice.

\*Despite our best efforts, technical or typographical errors may exist in this document. Uniview cannot be held responsible for any such errors and reserves the right to change the contents of this document without prior notice.